

NOTES:

- 1 VARIABLE HEIGHT.
- 2 FIXED HEIGHT.
- 3 THE H-BRAKE BRACKET WAS REMOVED ON UNITS BUILT AFTER 10/01/2012.
IF A REPLACEMENT IS NEEDED ORDER BUBBLE (104)
- 4 IF A FLAT BELT CAM IS NEEDED AS A FIELD REPLACEMENT PART:
FOR UNITS BUILT PRIOR TO 04/03/2013, ORDER CAM KIT BUBBLE (184)
FOR UNITS BUILT AFTER 04/03/2013, ORDER BUBBLE (98) OR (99)
- 5 DELETED.
- 6 IF A LEFT FOOT PEDAL IS NEEDED AS A FIELD REPLACEMENT PART:
FOR UNITS BUILT PRIOR TO 05/28/2013, ORDER BUBBLE (50.01)
FOR UNITS BUILT AFTER 05/28/2013, ORDER BUBBLE (50.02)
- 7 IF A RIGHT FOOT PEDAL IS NEEDED AS A FIELD REPLACEMENT PART:
FOR UNITS BUILT PRIOR TO 05/28/2013, ORDER BUBBLE (51.01)
FOR UNITS BUILT AFTER 05/28/2013, ORDER BUBBLE (51.02)

PRODUCT:

AMT 885/825/823

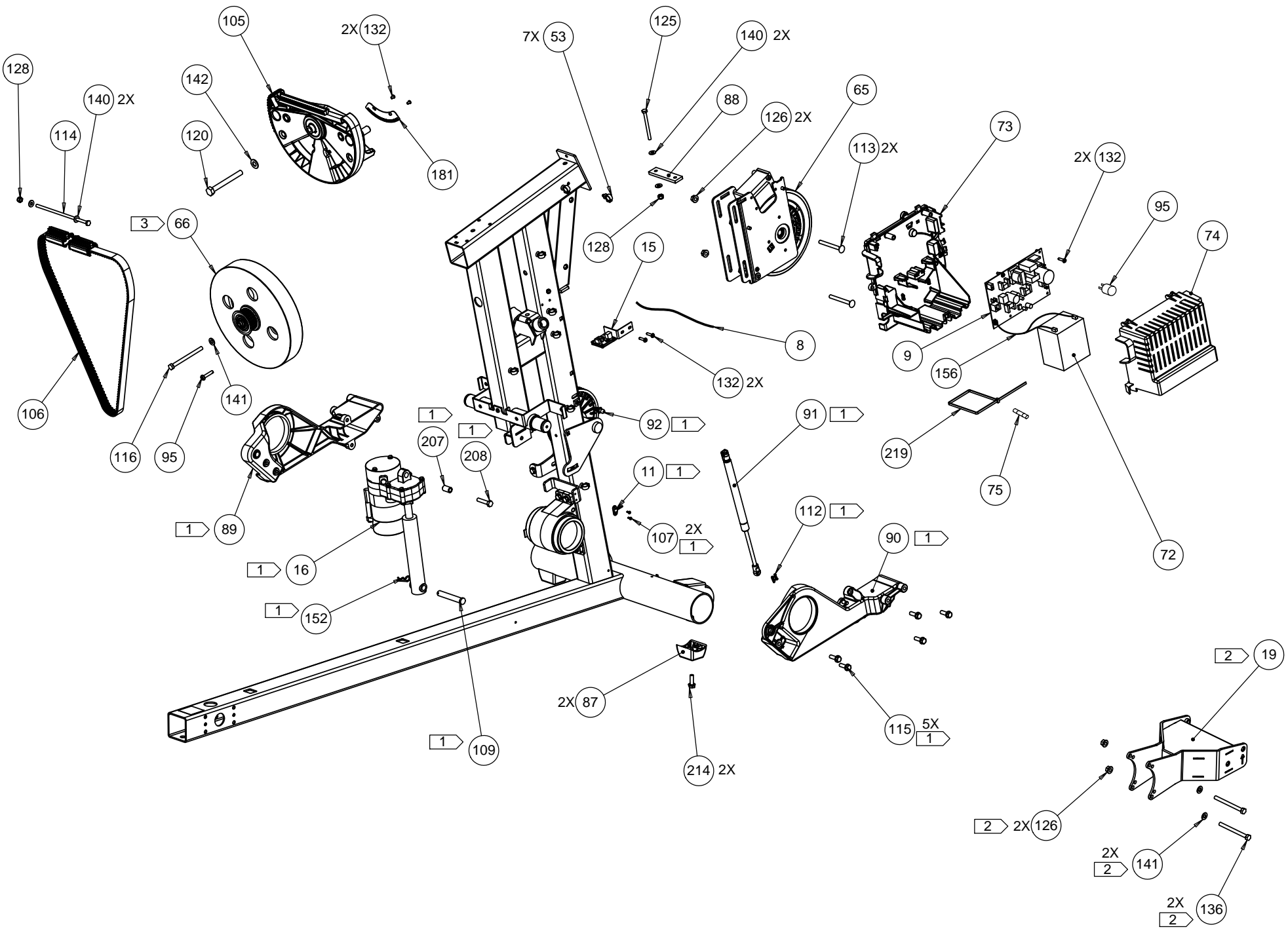
DRWN BY	01/28/15	KAW	SIZE	PAGE	DWG. NO.	SUBREV
CS	01/28/15	BG	A	1 OF 6	301696-101	AB

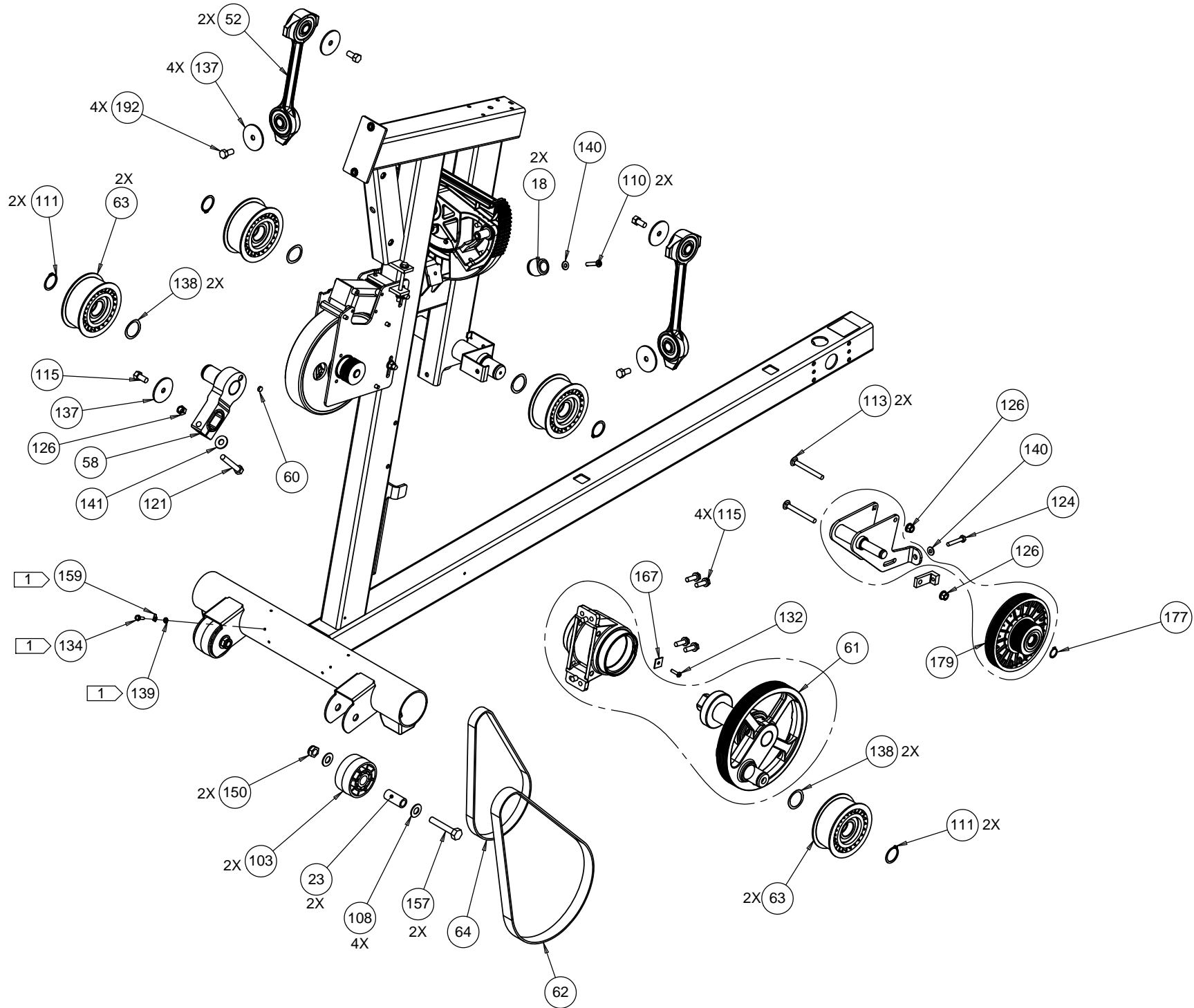
D

C

B

A



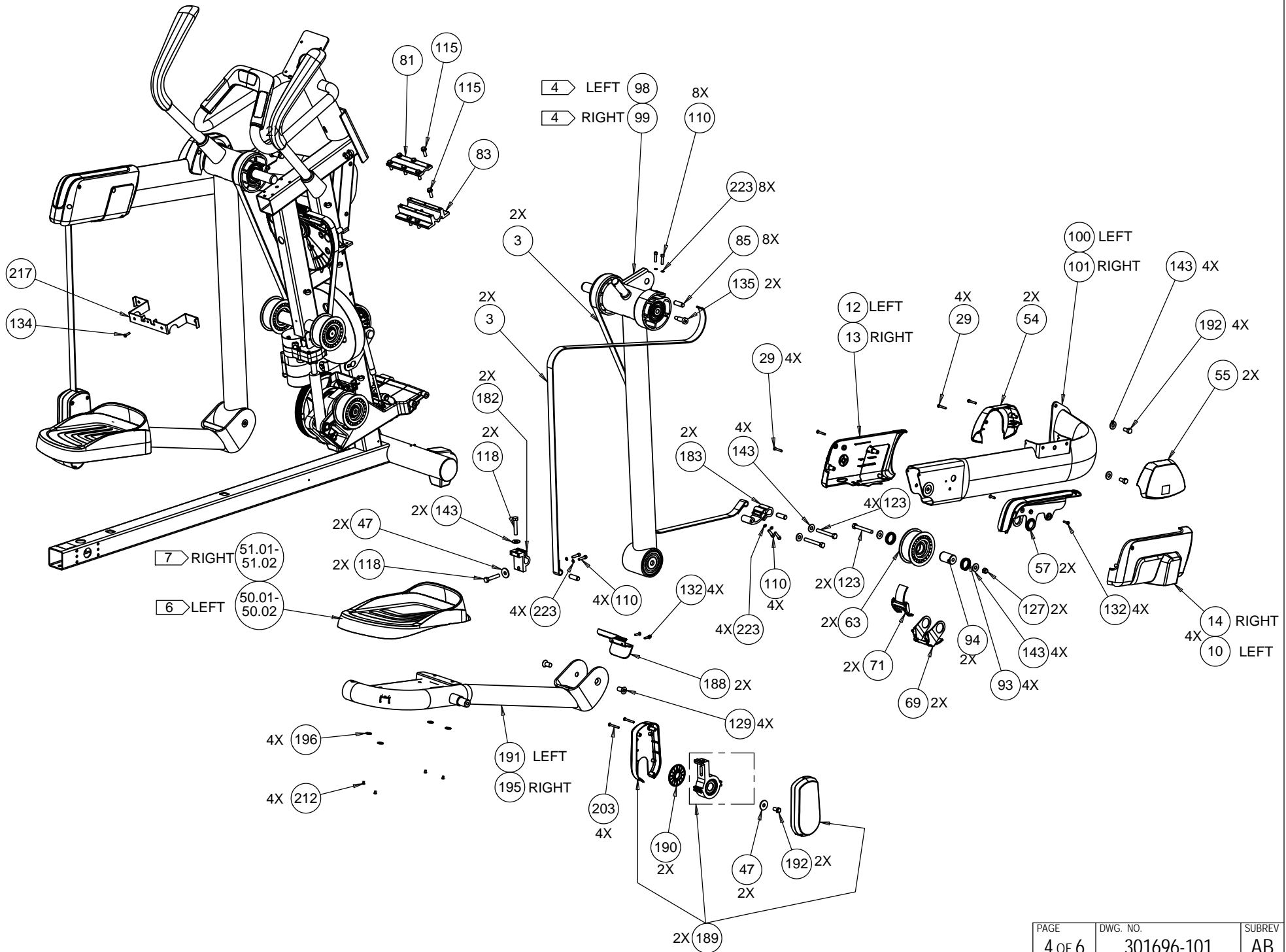


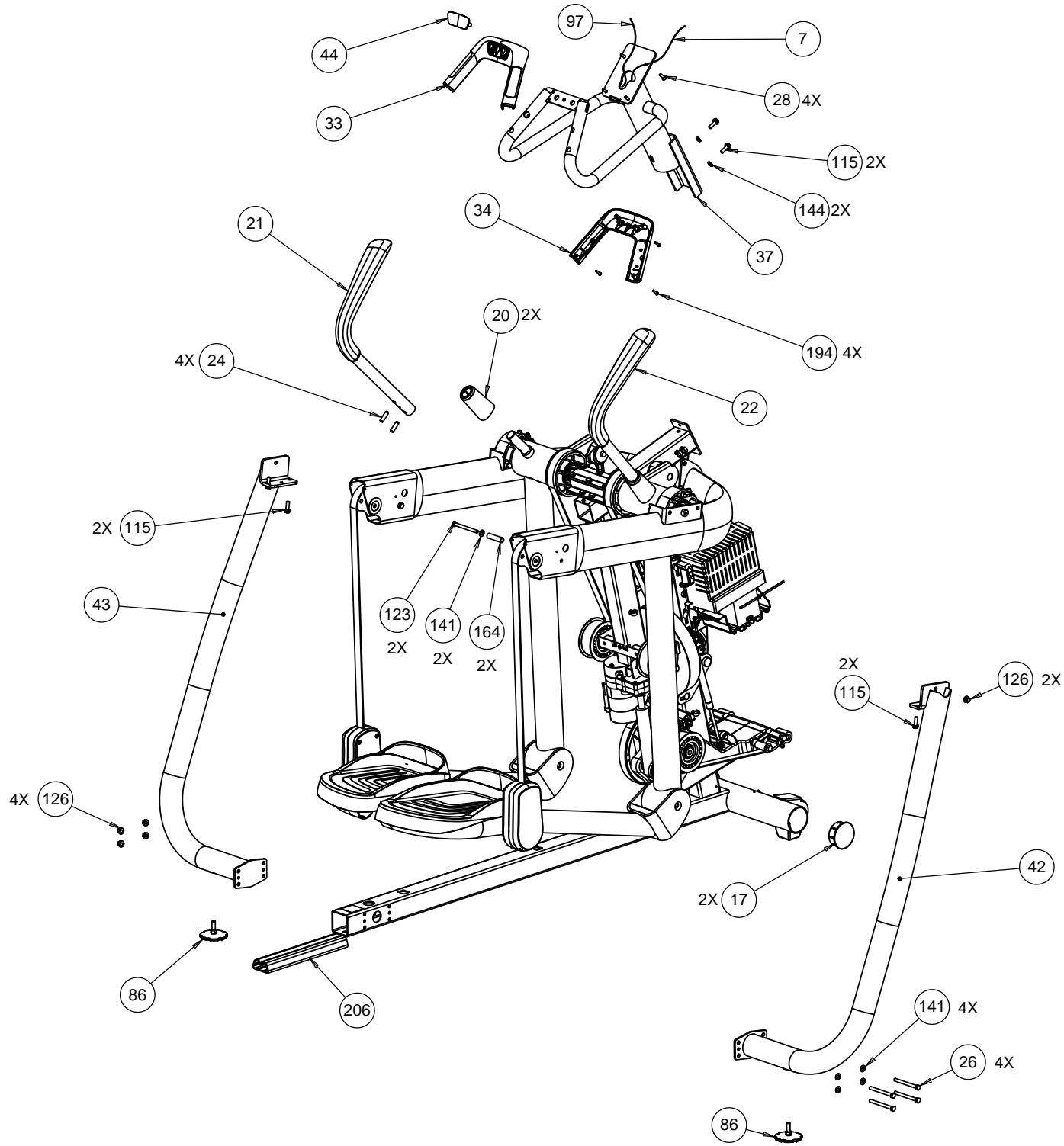
D

C

B

A



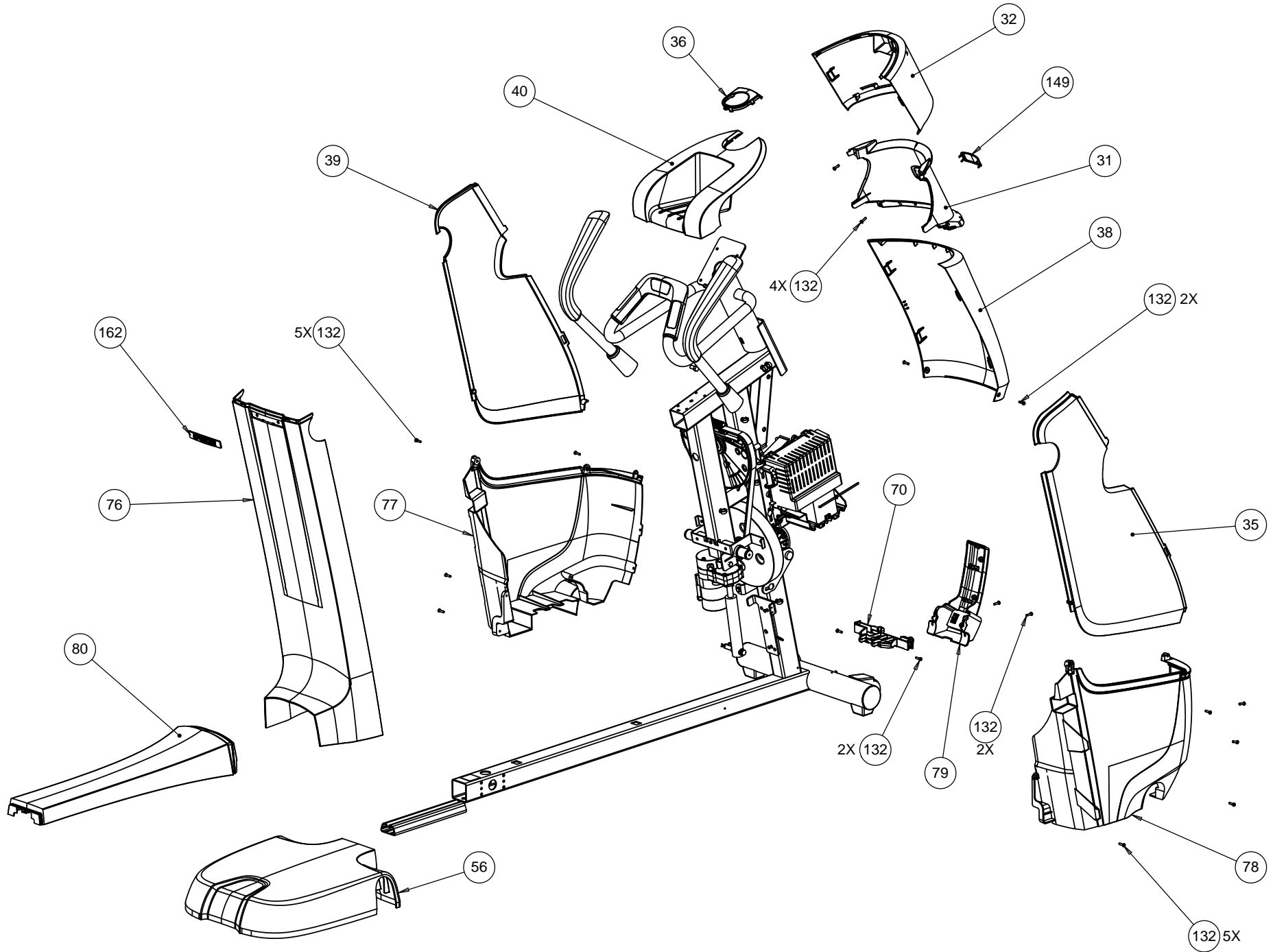


4

3

2

1



Bubble	Part Number	Description
3	58028-101	AMT 8XX, KIT, FLAT BELT, SET OF 4 B
7	44905-054	ASSY,CBL,MOD,8P8C,1-1,SILVER,54 in.
8	49441-012	ASSY,CBL,MOD,4P4C,1-1,SILVER,12 in.
9	301456-106	ASSY,LOWER PCA & SW,GEN-BRAKE,FH
10	301039-104	PLASTIC / LEFT HAND GRIP, OUTER
12	301039-103	PLASTIC / LEFT HAND GRIP, INNER
13	301040-103	PLASTIC / RIGHT HAND GRIP, INNER
14	301040-104	PLASTIC / RIGHT HAND GRIP, OUTER
15	301165-101	ASSEMBLY, STRIDE SENSOR, PCA MOUNT
17	39919-101	CAP, FRAME, ROUND TUBE
18	301167-101	BUMPER, TRAVEL STOP
19	301220-102	WELDMENT, BRKT, FIXED HEIGHT
20	301035-101	PLASTIC / HANDLEBAR GASKET
21	301240-101	ASSEMBLY, HANDLEBAR, MOVING, LH (PA
22	301240-102	ASSEMBLY, HANDLEBAR, MOVING, RH (PA
23	36192-101	BUSHING, SPANNER
24	ERTE038-125	SCREW, SET, 3/8-16 X 1-1/4, DOG POI
26	HCCN031-350	SCREW,HEX,GR5,5/16-18X3-1/2, ZN
28	MACCN025-062	MACHINE SCREW, 1/4-20, [FLAT HEAD,
29	PANTA019-125	SCREW,S/T,#10-24X1.25, PANHD,PHIL,T
31	301001-101	PLASTIC / MAIN COVER, CENTER FRONT
32	301030-102	PLASTIC / MAIN COVER, FRONT COVER,
33	301017-103	PLASTIC / HHR GRIP, TOP (PAC BLUE)
34	301017-104	PLASTIC / HHR GRIP, BOTTOM (PAC BL
35	301006-101	PLASTIC / MAIN COVER, RIGHT SIDE, W
36	301028-102	PLASTIC / DISPLAY GASKET
37	301291-102	WELDMENT, DISPLAY SUPPORT
38	301031-101	PLASTIC / MAIN COVER, FRONT COVER,
39	301005-101	PLASTIC / MAIN COVER, LOWER SIDE, L
40	301004-101	PLASTIC / MAIN COVER, TOP
42	301281-102	WELDMENT, SIDE TUBE, RIGHT, PAINTED
42	301281-104	WELDMENT, SIDE TUBE, RIGHT, PAINTED
43	301281-103	WELDMENT, SIDE TUBE, LEFT, PAINTED
43	301281-101	WELDMENT, SIDE TUBE, LEFT, PAINTED
44	301021-101	PLASTIC / HR GRIP, IMD PLATE, FH
47	WCBCN038-010	WASHER,FLT,406 ID X 1.25 OD X.100
50.01	58062-101	KIT, FOOT PEDAL, LEFT, AMT12, FOR U
50.02	301015-109	ASSY, FOOT PEDAL, LEFT, LED BLUE ST
51.01	58062-102	KIT, FOOT PEDAL, RIGHT, AMT12, FOR
51.02	301015-110	ASSY, FOOT PEDAL, RIGHT, LED BLUE S
52	301195-102	ASSEMBLY, TIE ROD
53	12414-101	CABLE CLAMP INSERT,SNAP IN
54	301011-103	PLASTIC / UPPER PULLEY COVER, INNER

55	301011-108	PLASTIC / UPPER PULLEY COVER, OUTER
56	301055-101	ASSEMBLY, PLASTIC, PLATFORM
57	301016-102	PLASTIC / HAND GRIP, OVERMOLD, LED
58	301211-101	ASSEMBLY, INPUT CRANK
59	58112-102	KIT, REDUCTION PULLEY, AMT12
60	301157-101	MAGNET, SPEED SENSOR
61	58196-101	KIT, AMT12 INPUT REPAIR
61	301210-101	ASSEMBLY, INPUT SHAFT WITH PULLEY
62	10217-147	BELT, DRIVE, 400J10 POLY V, ARAMID
63	301235-101	ASSEMBLY, FLAT BELT PULLEY
64	10217-145	BELT, DRIVE, 300J8 POLY V
65	301170-101	GENERATOR, AMT12
66	301169-102	ASSEMBLY, H-BRAKE MAGNETICS
69	301058-101	ASSY, BELT GUIDE, BACK
70	301043-101	PLASTIC / SPINE, MOUNT
71	301057-101	ASSY, BELT GUIDE, FRONT
72	12258-040	BATTERY,SLA,12V,4AH,.187 TABS
73	301032-101	PLASTIC / BATTERY BRACKET
74	301034-101	PLASTIC / PCA COVER
76	301053-101	ASSEMBLY, MAIN COVER, REAR
77	301002-101	PLASTIC / MAIN COVER, LEFT
78	301003-101	PLASTIC / MAIN COVER, RIGHT
79	10427-151	FUSE,SLOW,10A,32V,1/4 DIA
80	301025-102	PLASTIC / CENTER BEAM COVER
81	301153-101	CLAMP, MAIN SHAFT, UPPER
83	301152-101	ASSEMBLY, MAIN SHAFT CLAMP, LOWER
85	301239-101	PIN, BACKUP
86	303093-101	FOOT,ADJUSTING,NO LOGO,WITH LOCK NU
87	49195-101	FRONT FOOT
88	301311-102	BRACKET,GENERATOR TENSIONER,ZINC
93	301238-102	SPACER, PULLEY, MOLDED
94	301236-101	SHAFT, FLAT BELT PULLEY
95	PANTA025-125	SCREW,S/T,1/4-20X1.25, PANHD,PHIL,T
97	302129-048	ASSY, CABLE, CHR PCA TO GRIP, W/SHI
98	58063-101	KIT, FRONT ARM, LEFT, PRESS-FIT CAM
99	58064-101	KIT, FRONT ARM, RIGHT, PRESS-FIT CA
100	301882-103	WELDMENT, ARM, LEFT, ASSEMBLED W/SP
101	301882-104	WELDMENT, ARM, RIGHT, ASSEMBLED W/
103	44270-101	WHEEL, LIFT
104	301315-101	BRACKET, H-BRAKE MOUNT
105	301325-101	ASSEMBLY, H-BRAKE INPUT
106	301327-101	ASSEMBLY, BELT, H-BRAKE
110	CATN025-100	SCREW,SKHD,1/4-20X1,BLK SHARPERIZED
110	PANTA025-125	SCREW,S/T,1/4-20X1.25, PANHD,PHIL,T

110	PANTA025-125	SCREW,S/T,1/4-20X1.25, PANHD,PHIL,T
111	AAHN110-005	RING,RETAINER,EXTERNAL,TREADS
113	BACN031-300	BOLT, CARRIAGE, 5/16-18 X 3.00
114	HCCN025-700	SCREW,HEX,GR 5,1/4-20X7.00, ZN
115	HAECE031-100	HHCS,5/16-18 X 1.00,SEMS NARROW WAS
116	HCCE031-400	SCREW,HEX,GR 5,5/16-18X4.00,,ZN,LK
118	HADCE038-200	GR5, STEEL, UNC, FULL THREAD, HEX H
120	HCCE044-400	SCREW,HEX,GR 5,7/16-14X4.00,,ZN,LK
121	HCCN038-250	SCREW,HEX,GR5,3/8-16X2 1/2, ZN
123	HADCE038-300	GR5, STEEL, UNC, FULL THREAD, HEX H
124	HADCN025-150	HHCS,1/4-20 X 1.50,FULLTHREAD,GR5 S
125	HADCN025-300	HHCS,1/4-20 X 3.00,FULLTHREAD,GR5 S
126	KBTCN031-038	NUT, HEX FLANGE, NYLON INSERT, 5/16
127	KDCN038-034	LOCKNUT, FULL, 3/8-16, BLK ZN
128	KDCN025-023	LOCKNUT, FULL 1/4-20, ZN (MECH PLAT
129	MACTE050-100	SCREW, FLAT HD, HEX SOC, 1/2-13 X
132	PANTA019-075	SCREW,S/T,#10-24X0.75, PANHD,PHIL,T
136	HCCN031-350	SCREW,HEX,GR5,5/16-18X3-1/2, ZN
137	WABCN038-011	WASHER, FENDER, ZN, 3/8 ID X 2.0 OD
138	WAHNN120-020	WASHER,WAVE,NONSPLIT,TRIPLE,1.20,ST
140	WBCN025-006	WASHER,FLT,1/4X..500X.063,ZN (MECH
141	WBCN031-007	WASHER,FLT,5/16X.688X.065, ZN
142	WBCN044-007	WASHER, FLAT, NARROW, 7/16, ID=..46
143	WCCN038-008	WASHER, FLT, 3/8X1.00X.083
144	WAMCN031-003	WASHER, LOCK, EXT TOOTH, 5/16
149	301554-101	BADGE, AMT12 FRONT, 800
150	KACN050-019	LOCKNUT,HALF,1/2-13,ZN
156	302130-009	ASSY,CBL,16AWG,MINI FIT,QDK,10A SB,
157	HCTN050-250	SCREW,HEX,GR 5,1/2-13X2-1/2,BLK SHA
162	301019-101	PLASTIC/BADGE, REAR
164	303052-101	SPIROL SPACER SPCR .375 X 2.120 FT
167	13118-101	WASHER, FLT, SQUARE, .214X.75X.060,
171	10220-112	KEY, SQUARE, 3/16 X 1-1/4, CRS
175	301203-103	ASSEMBLY, INPUT HOUSING
177	ABHN017-001	RING, RETAINER, EXTERNAL
179	58112-102	KIT, REDUCTION PULLEY, AMT12
181	301164-101	ENCODER STRIP
182	58033-101	CS KIT, OUTSIDE CLAMP, FLAT BELT
183	58034-101	CS KIT, INSIDE CLAMP, FLAT BELT
184	58032-101	CS KIT, CAM, FLAT BELT
187	301884-101	PLATE, WASHER
188	301027-101	COVER, KNUCKLE
189	58056-101	KIT, BELT TERMINAL AND COVERS, AMT1
190	301232-103	DISK, ANTI-ROTATING, MOLDED

191	301265-111	WELDMENT, STAIRARM, LEFT, PAINTED
192	HCCE038-075	SCREW, HEX, GR 5,3/8-16X3/4,ZN,LK
195	301265-112	WELDMENT, STAIRARM, RIGHT, PAINTED
196	WCBCN019-006	WASHER, FLT, .20 ID X .73 OD X.06 T
198	301168-102	FERRULE, PEDAL
203	MGTE019-163	SCREW, MACHINE, 10-24X1-5/8,PANHD,P
206	301014-101	PLASTIC, TYPHOON CABLE CONDUIT
209	58104-101	KIT, H-BRAKE BOLT REPAIR, AMT12
210	58105-101	KIT, H-BRAKE BOLT REPAIR TOOLS, AMT
211	58123-101	KIT, H-BRAKE BOLT REPAIR, AMT12, RU
212	MGCE019-050	SCREW,PAN HD PHIL,10-24 X .50,NYLOC
213	58041-101	KIT, SHIM, FLAT BELT CAM, AMT12
214	HAECE031-100	HHCS,5/16-18 X 1.00,SEMS NARROW WAS
215	58039-101	KIT, FRONT ARM SHAFT, COLLAR, AMT12
216	KMCN038-034	NUT, HEX, 3/8-16, ZINC
217	301897-101	BRACKET, BELT KEEPER
219	10123-116	CABLE TIE,17 LONG,WHITE,NYL
223	301261-101	SHIM, SCREW, CAM
999	301726-201	ASSY HWB1:C150 KIT/LITERATURE KIT, AMT12,